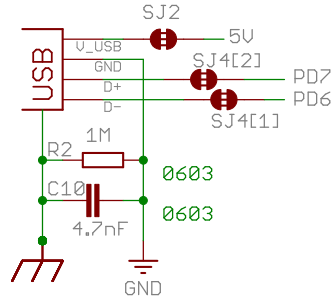
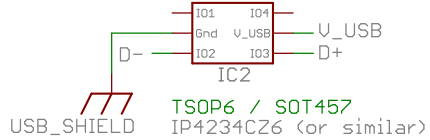


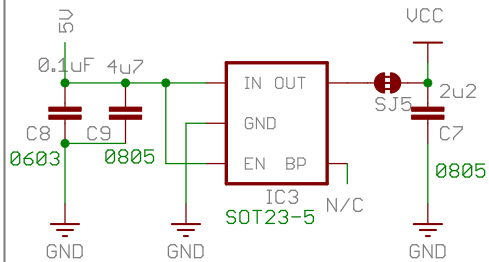
Micro-USB socket



USB ESD protection

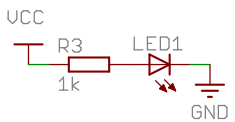


Power Supply

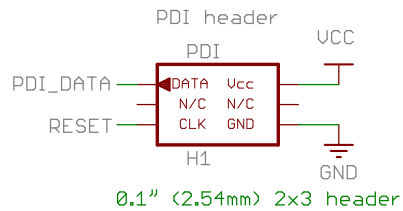
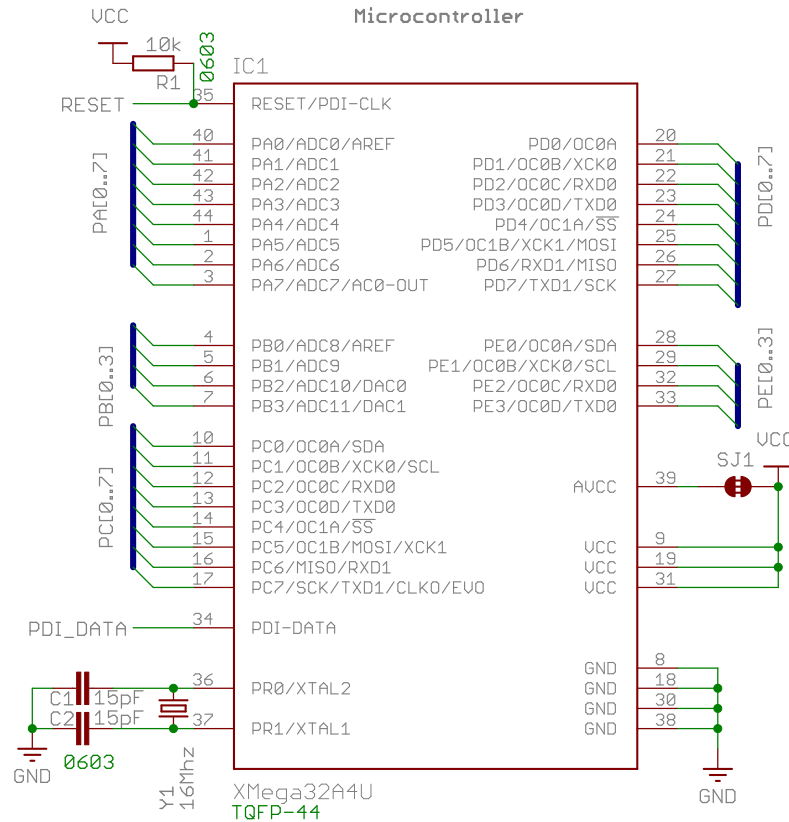


IC3
(MCP1824T-3302E/OT or similar)
3.3v LDO VReg

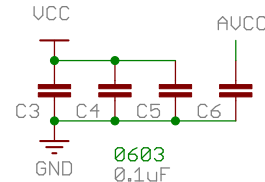
Optional power LED



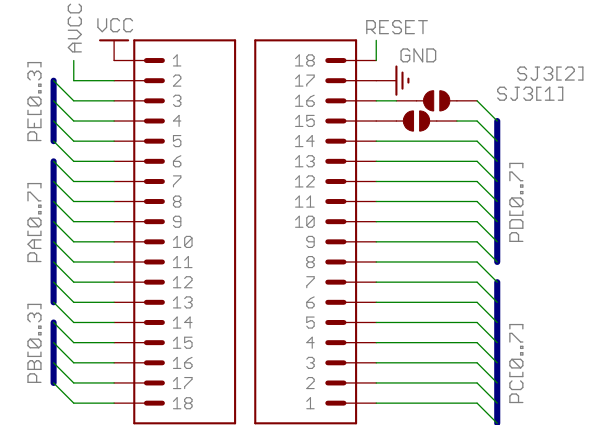
AV Xmega PDI - BMP001AV



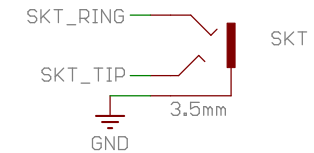
Decoupling capacitors



DIL Header Pins



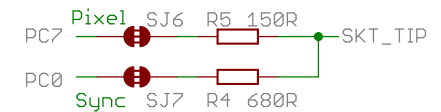
3.5mm TRS Socket



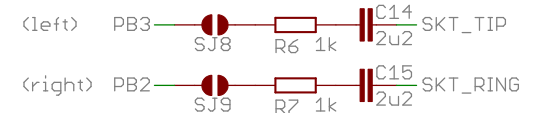
Tip = Left Audio / Composite video (white/black RCA)

Ring = Right Audio (red RCA)

Video



Audio



Copyright (c) 2012 by Nigel Batten
This work is made available under the terms of the Creative Commons Attribution Share-Alike 3.0 Unported license.
CC-BY-SA
<http://creativecommons.org/licenses/by-sa/3.0/>



Range: BreadMate
Product: AV Xmega PDI - BMP001AV

Author: Nigel Batten

Date: 15th Jun 2012 Version: Sch v1