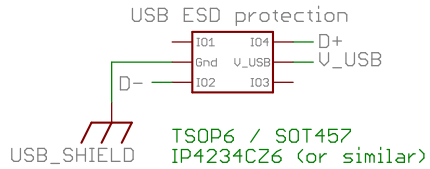
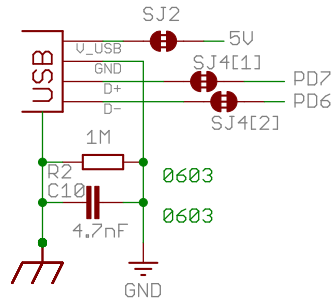
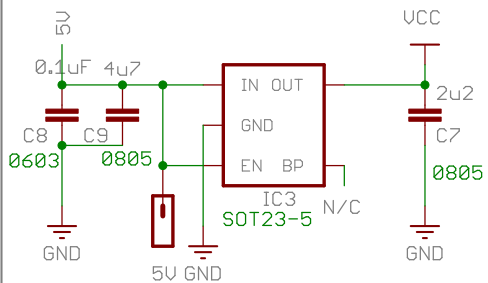


Micro-USB Socket

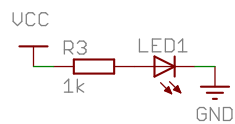


Power Supply

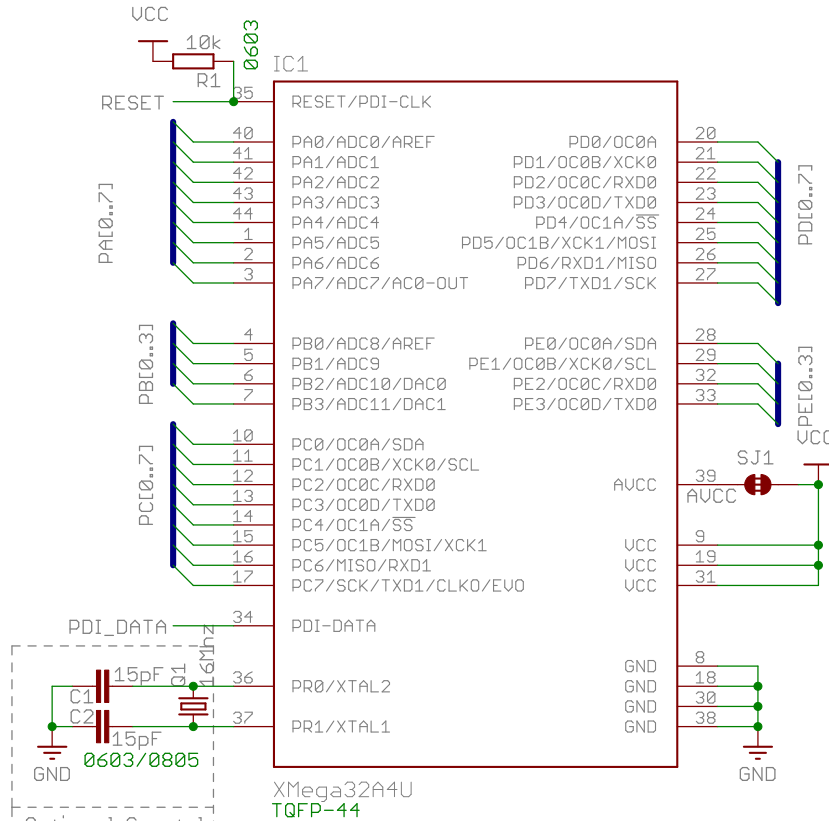


IC3
 (MCP1824T-3302E/OT or similar)
 5v input LDO VReg. up to 500mA output

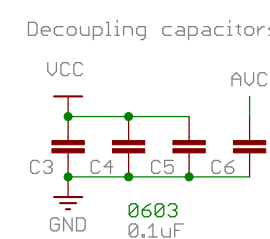
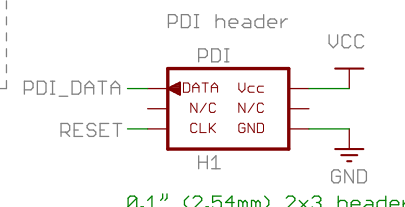
Optional power LED
 (board v1b only)



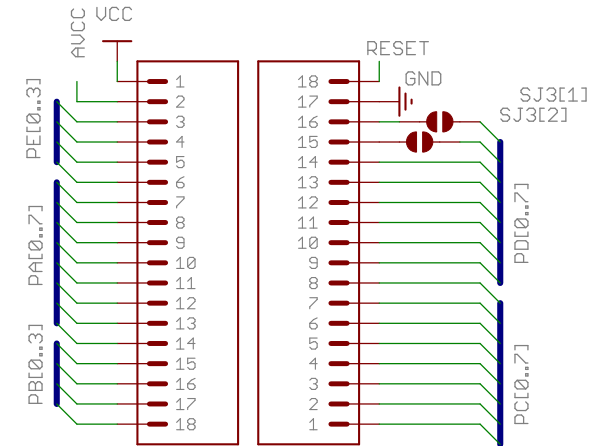
Microcontroller



Optional Crystal
 board v1a:
 3.2x2.5mm 4-pin
 e.g. FA238
 board v1b:
 HC49/U



DIL Header Pins



Copyright (c) 2012 by Nigel Batten
 This work is made available under the terms of the Creative Commons Attribution Share-Alike 3.0 Unported license.
 CC-BY-SA
<http://creativecommons.org/licenses/by-sa/3.0/>



Range: BreadMate
 Product: PDIMate XMEGA4U BMP001U4
 Author: Nigel Batten
 Date: 10th May 2012 Version: Sch1.0b