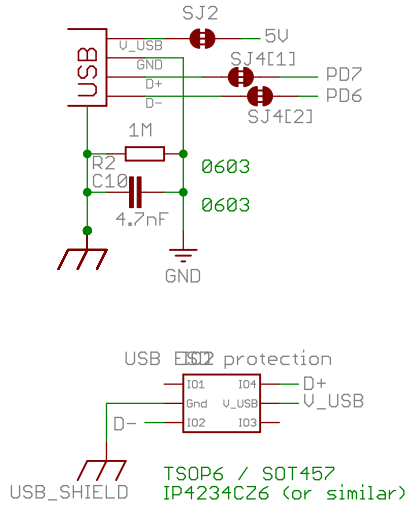
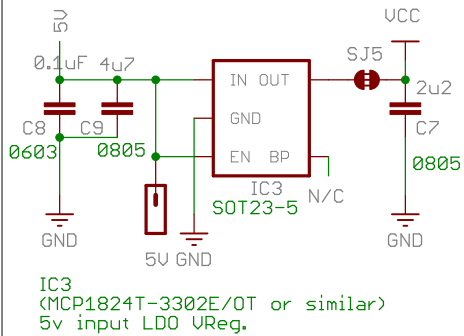


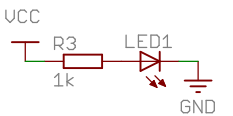
Micro-USB Socket



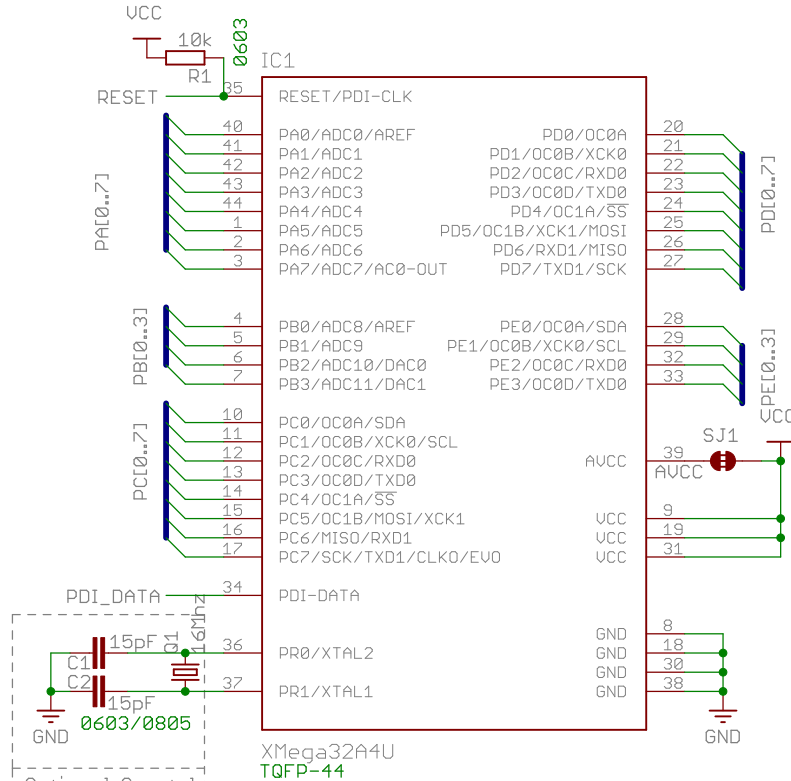
Power Supply



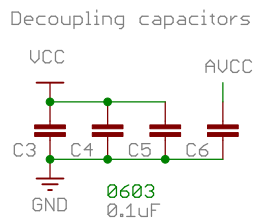
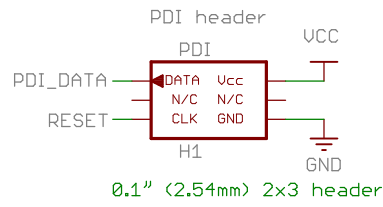
Optional power LED (board v1b onwards)



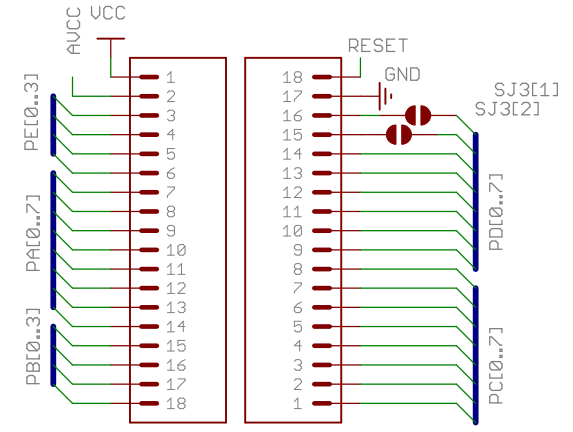
Microcontroller



Optional Crystal
board v1a:
3.2x2.5mm 4-pin
e.g. FA238
board v1b+:
HC49/U



DIL Header Pins



PCB Revision History

- 1/1a: Original release (1a schematic labelling update)
- 1b: OSHW release
Silkscreen labelling corrections
Added (opt) power LED+R
(opt) Xtal now HC49/U (was 3.2x2.5mm)
Added USB 5v test point
Larger header pin pads
- 1c: Incremental update
Added SJ5 (isolate VReg output)
USB 5v test pad larger

Copyright (c) 2012 by Nigel Batten

This work is made available under the terms of the Creative Commons Attribution Share-Alike 3.0 Unported license.

CC-BY-SA

<http://creativecommons.org/licenses/by-sa/3.0/>

Batsocks

Range: BreadMate
Product: PDIMate XMEGA4U BMP001U4

Author: Nigel Batten

Date: 16th Aug 2012 Version: Sch1.0c