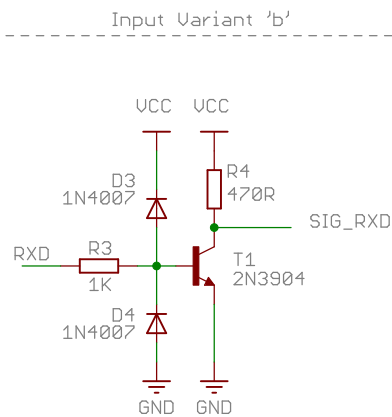
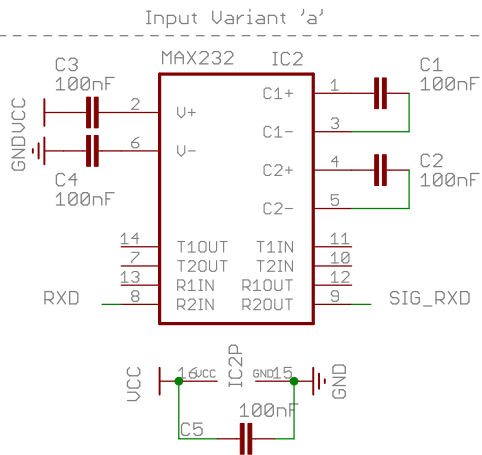
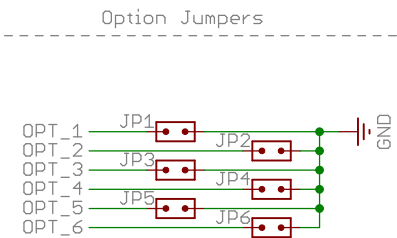


Note:
 RXD is an RS232 signal (possibly up to +/- 15v)
 SIG_RXD is a TTL level serial signal



Alt: T1=BC547, D3/D4=1N4148 works well.



Batsocks

Range: Other
 Product: TellyMate

Author: Nigel Batten

Date: 06/02/2009 Version: 1.0