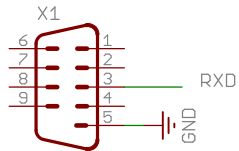
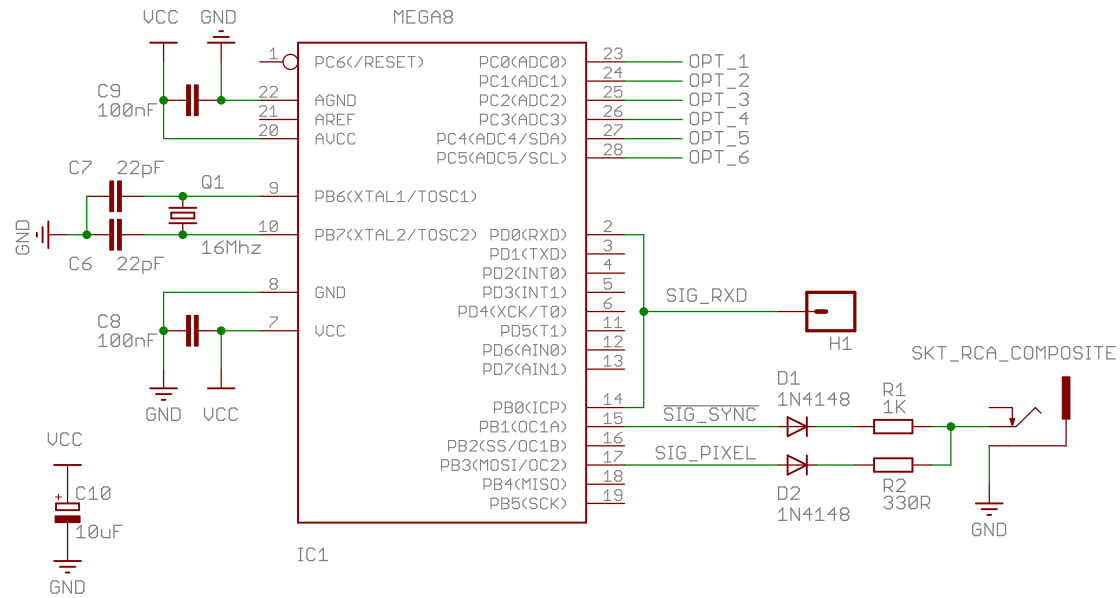


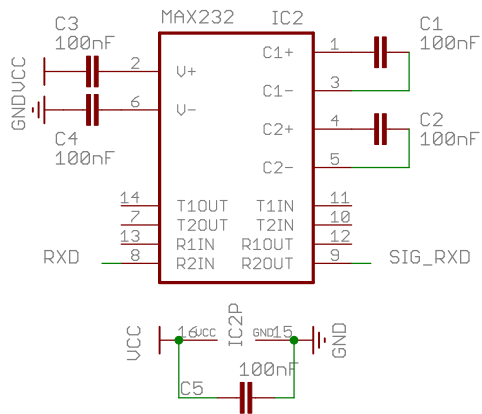
Version History:

- 1.0: Initial version
- 1.1: Added C10

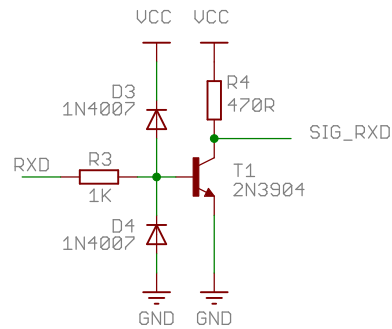


Note:
RXD is an RS232 signal (possibly up to +/- 15v)
SIG_RXD is a TTL level serial signal

Input Variant 'a'

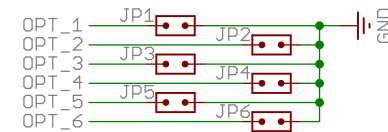


Input Variant 'b'



Alt: T1=BC547, D3/D4=1N4148 works well.

Option Jumpers



Batsocks

Range: Other
Product: TellyMate

Author: Nigel Batten

Date: 06/02/2009 Version: 1.1