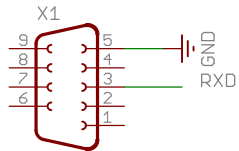


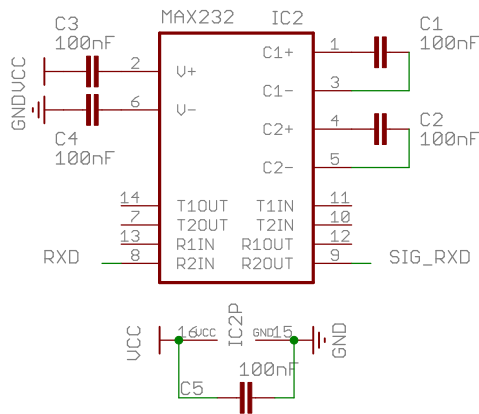
Version History:

- 1.0: Initial version
- 1.1: Added C10
- 1.2: Input Variant 'b' now BC547 based
- Input Variant 'b' pullup now 4k7 (was 470R)
- X1 is now female! (as befits a DCE)



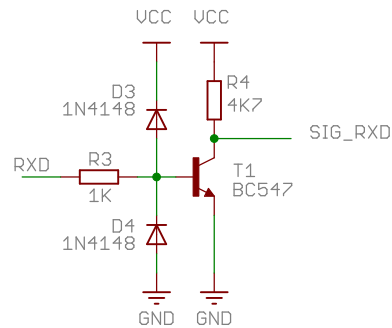
Note:
 RXD is an RS232 signal (possibly up to +/- 15v)
 SIG_RXD is a TTL level serial signal

Input Variant 'a'



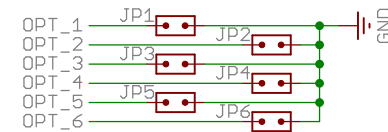
Input Variant 'b'

This configuration tested up to 115k2 baud



Alt: T1=2N3904, D3/D4=1N4007 should work.
 see Microcarl's My_LCD project at AVRfreaks

Option Jumpers



Batsocks

Range: Other
 Product: TellyMate

Author: Nigel Batten

Date: 17/03/2009 Version: 1.2